



INSTITUTIONAL EQUIPMENT, INC.

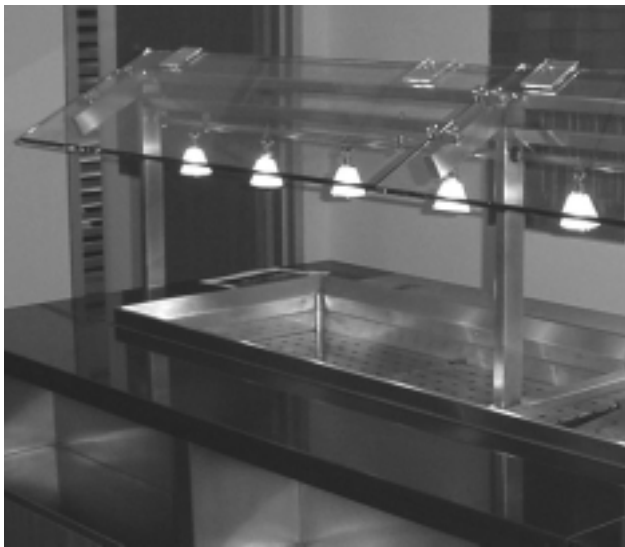
◆ Foodservice ◆ Architectural ◆ Fabrication ◆ Installation

CUSTOM FOOD SHIELDS

Job Name: _____

Item No.: _____

CUSTOM FOOD SHIELDS



- ◆ Custom food shields built to specification [Professional installation available]
- ◆ Welded tubular frame construction, Stainless Steel, Brass, or Powder coated
- ◆ Frame finish options: #4 brushed finish, mirror polish, or accent polishing
- ◆ Tempered or Laminated glass available in 1/4" or 1/2" thickness, 3/8" special order
- ◆ Glass mounting clips or S/S glass mounting channel options
- ◆ Custom Glass etching and bead blasting available
- ◆ Glass capping or polished edges (polished edge with tempered glass only)

Lighting, food warmers, mounted and pre-wired, fluorescent, incandescent, or halogen

Food warmers (heat lamps) mounted and pre-wired

Stainless steel top shelves available

Counter mounting options: Surface mount or thru counter cantilever mount





INSTITUTIONAL EQUIPMENT, INC.

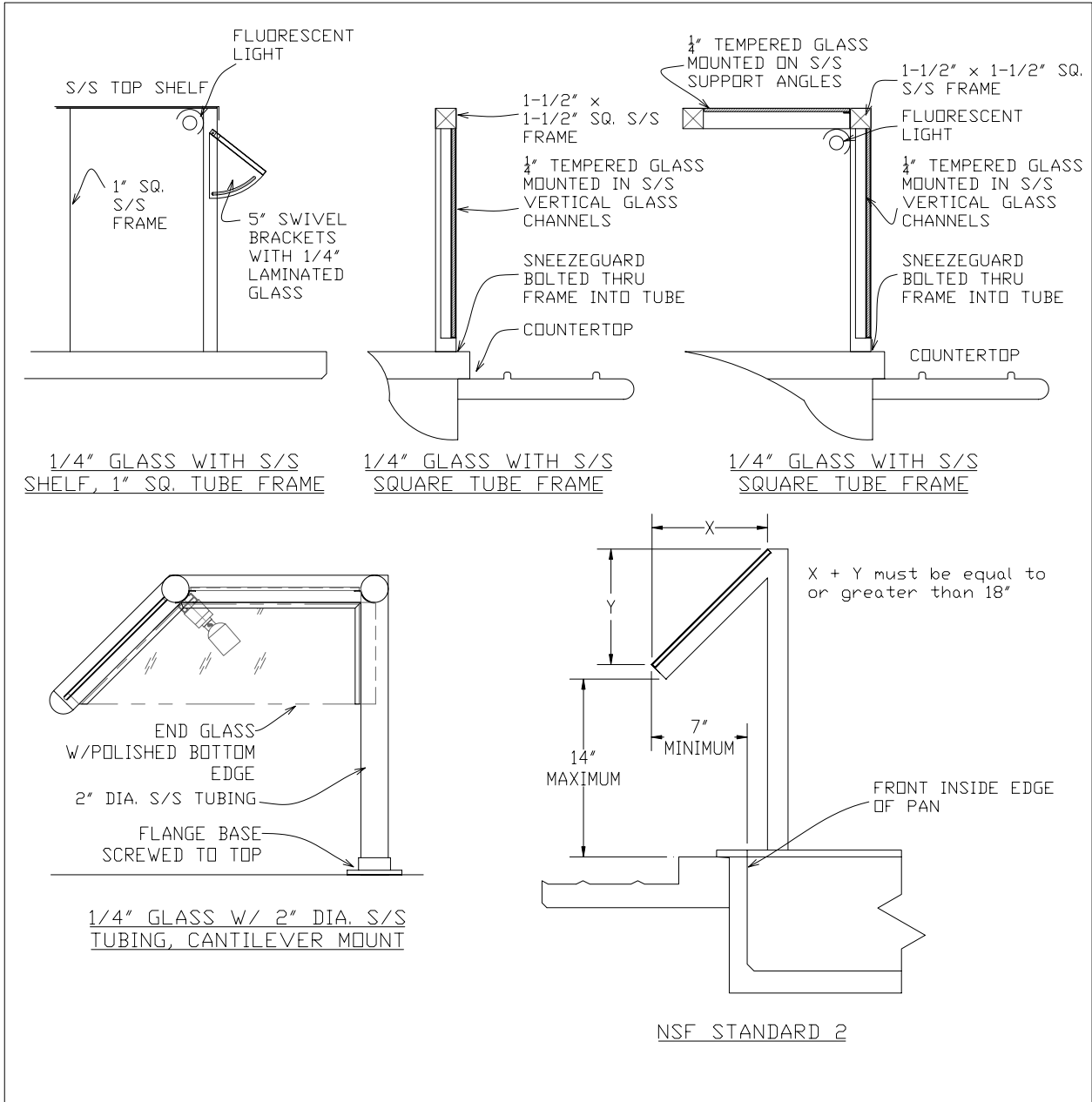
◆Foodservice ◆Architectural ◆Fabrication ◆Installation

CUSTOM FOOD SHIELDS

Job Name: _____

Item No.: _____

SAMPLE SECTION VIEWS



Institutional Equipment, Inc. is a custom steel fabricator and equipment installer located in the Chicagoland area. Products include a full range of custom foodservice equipment, architectural elements crafted to specification, and custom stainless steel tables, countertops, and cabinetry. We are a versatile manufacturer specializing in quick turn production, designed to specification, offering professional, licensed, bonded installation.