



INSTITUTIONAL EQUIPMENT, INC.

◆ Foodservice ◆ Architectural ◆ Fabrication ◆ Installation

HOT/COLD SERVING COUNTERS

Job Name: _____

Item No.: _____

HOT/COLD SERVING COUNTERS



HOTELS



CORPORATE DINING



SCHOOL CAFETERIA

- ◆ Custom counters built to specification [Professional installation available]
- ◆ Available top materials: Stone, Solid Surface, Laminate, Stainless Steel
- ◆ Custom front diepanels: Laminate, Veneer, Stainless steel, Tile, Inlays
- ◆ Full length utility chase accessible by removable diepanels
- ◆ Operator side includes stainless steel cabinetry designed to accommodate equipment
- ◆ Counter mounted equipment, drop-ins, and inserts, fitted and installed in counter
- ◆ Electrical connections pre-wired to connection boxes, receptacles. Optional load center
- ◆ Pre-wired control aprons provided on operator side for easy access to recessed controls
- ◆ Custom sneezeguards, protector cases, refrigerators and cold pans available





INSTITUTIONAL EQUIPMENT, INC.

◆ Foodservice ◆ Architectural ◆ Fabrication ◆ Installation

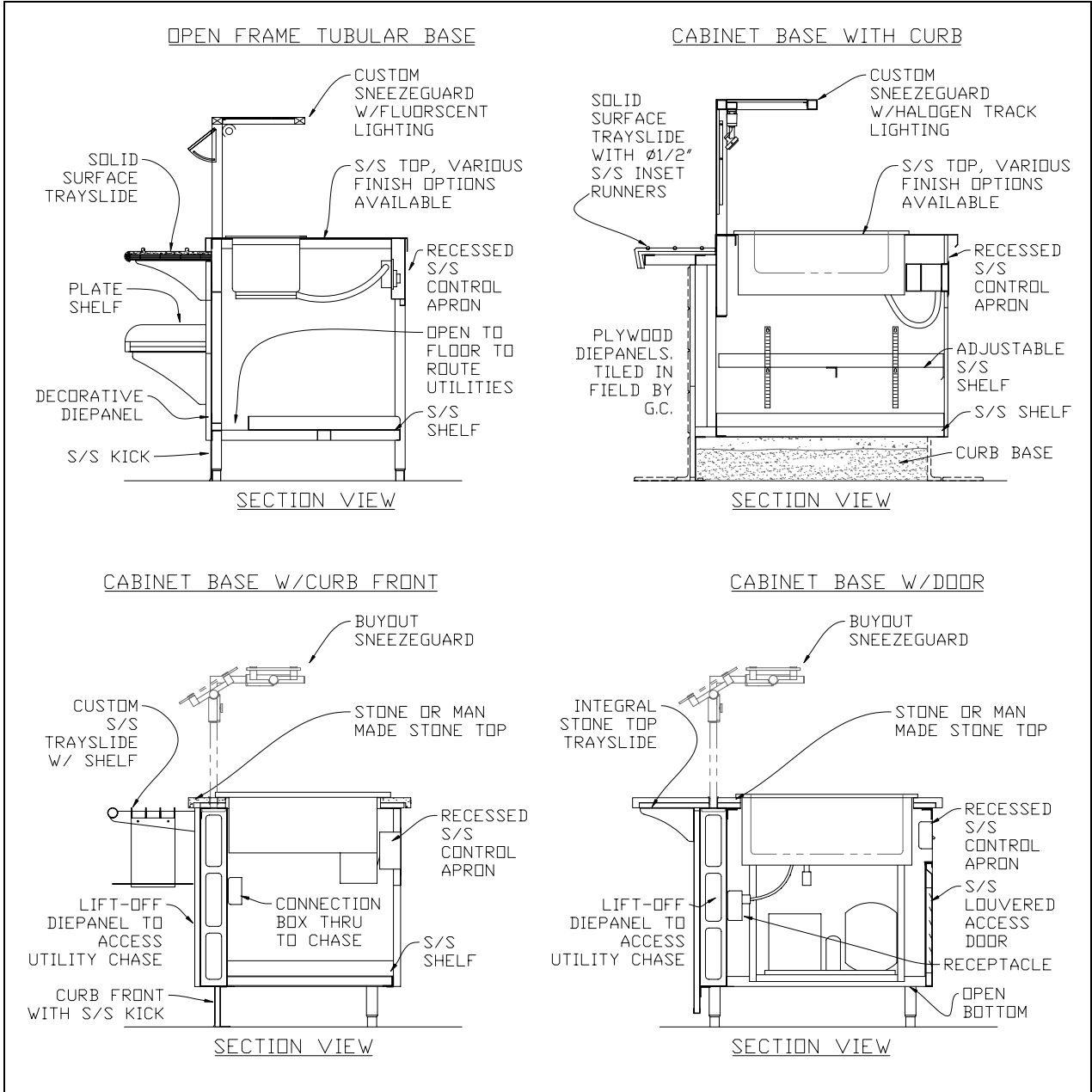
HOT/COLD SERVING COUNTERS

Job Name: _____

Item No.: _____



SAMPLE SECTION VIEWS



Institutional Equipment, Inc. is a custom steel fabricator and equipment installer located in the Chicagoland area. Products include a full range of custom foodservice equipment, architectural elements crafted to specification, and custom stainless steel tables, countertops, and cabinetry. We are a versatile manufacturer specializing in quick turn production, designed to specification, offering professional, licensed, bonded installation.