



INSTITUTIONAL EQUIPMENT, INC.

◆ Foodservice ◆ Architectural ◆ Fabrication ◆ Installation

BEVERAGE COUNTER

Job Name: _____

Item No.: _____

BEVERAGE COUNTERS



- ◆ Beverage counters built to specification [Professional installation available]
- ◆ Available Top materials: Stone, Solid Surface, Laminate, Stainless Steel
- ◆ Custom front panels or doors: Laminate, Veneer, Stainless Steel, Tile, Inlays
- ◆ Counter mounted equipment, drop-ins, and inserts, fitted and installed
- ◆ Electrical connections pre-wired to connection boxes, receptacles.
- ◆ Custom stainless steel drip trough integral to countertop



Institutional Equipment, Inc. 704 Veterans Parkway Unit B Bolingbrook, IL 60440
Phone 630-771-0990 Fax 630-771-0994 www.ieiusa.net



INSTITUTIONAL EQUIPMENT, INC.

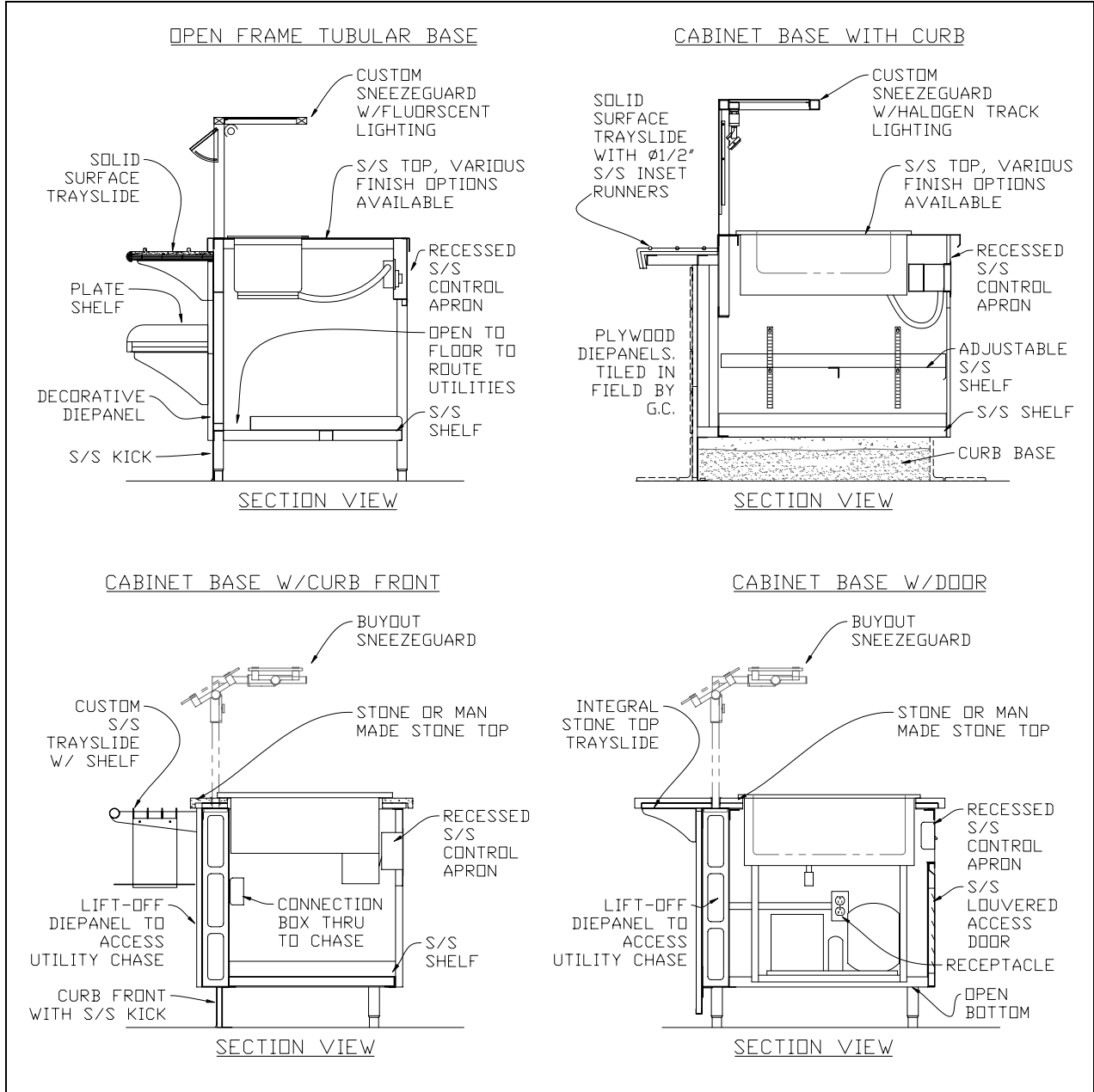
◆Foodservice ◆Architectural ◆Fabrication ◆Installation

BEVERAGE COUNTER

Job Name: _____

Item No.: _____

SAMPLE SECTION VIEWS



Institutional Equipment, Inc. is a custom steel fabricator and equipment installer located in the Chicagoland area. Products include a full range of custom foodservice equipment, architectural elements crafted to specification, and custom stainless steel tables, countertops, and cabinetry. We are a versatile manufacturer specializing in quick turn production, designed to specification, offering professional, licensed, bonded installation.